

MICROPROCESSOR AT49 4 PADS SMD CRYSTAL



ABSM3A



RoHS
Compliant

FEATURES:

- Excellent all-purpose surface-mount crystal.
- Four pad land pattern compatible with common plastic molded designs.

APPLICATIONS:

- Home electronics
- Computers, modems, and communications
- Clock applications
- Microprocessors

STANDARD SPECIFICATIONS:

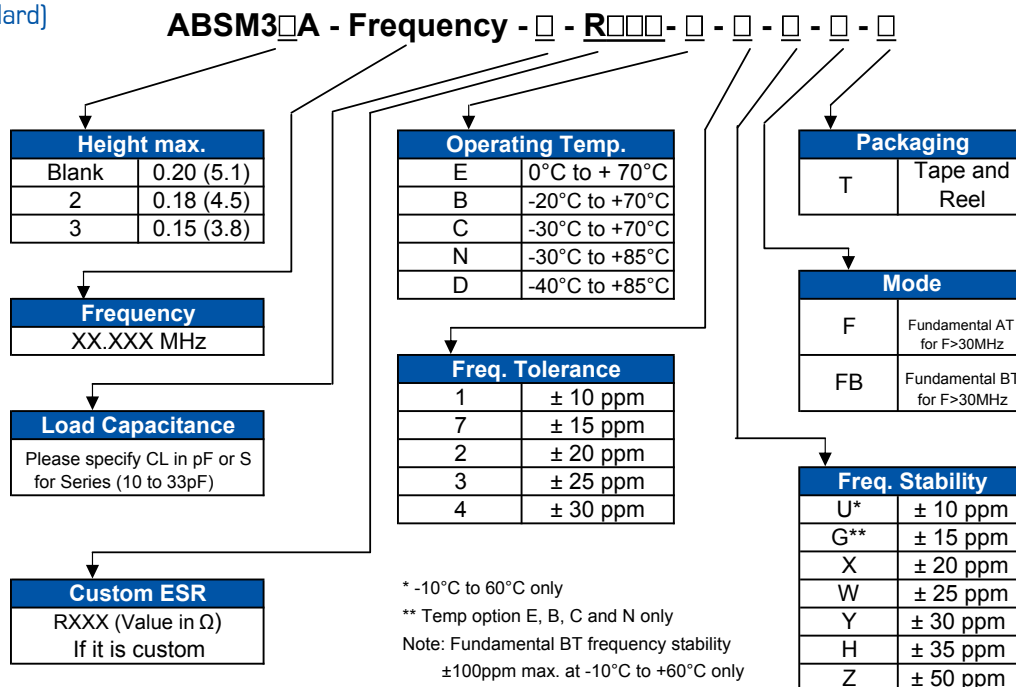
PARAMETERS	
ABRACON P/N:	ABSM3A Series
Frequency:	3.579545 MHz to 54 MHz
Operation mode:	AT-strip (see options) 3.579545 MHz - 30.00 MHz (Fundamental AT) 40.00 MHz - 54.00 MHz (3rd OT AT) 30 MHz - 48.00 MHz (Fundamental BT)
Operating temperature:	- 10°C to + 60°C (see options)
Storage temperature:	- 40°C to + 85° C
Frequency tolerance:	± 50 ppm max. (see options)
Frequency stability over:	± 100 ppm max. (see options)
Equivalent series resistance (max.):	See Table 1
Shunt capacitance C0:	7.0pF max.
Load capacitance CL:	18.0pF (see option)
Drive level:	100mW max., 100µW correlation
Aging (per year) @ 25° C:	± 5 ppm max.
Insulation resistance:	500 MΩmin. at 100 Vdc ± 15 Vdc

Table 1 Standard ESR

Frequency (MHz)	ESR(Ω) max.
3.579545 - 3.999	180
4.000 - 4.999	150
5.000 - 6.999	100
7.000 - 14.999	50
15.000 - 50.0 (fund)	40
28.01 - 60.0 (3rd overtone)	100

OPTIONS & PART IDENTIFICATION:

(Left blank if standard)



MICROPROCESSOR AT49 4 PADS SMD CRYSTAL

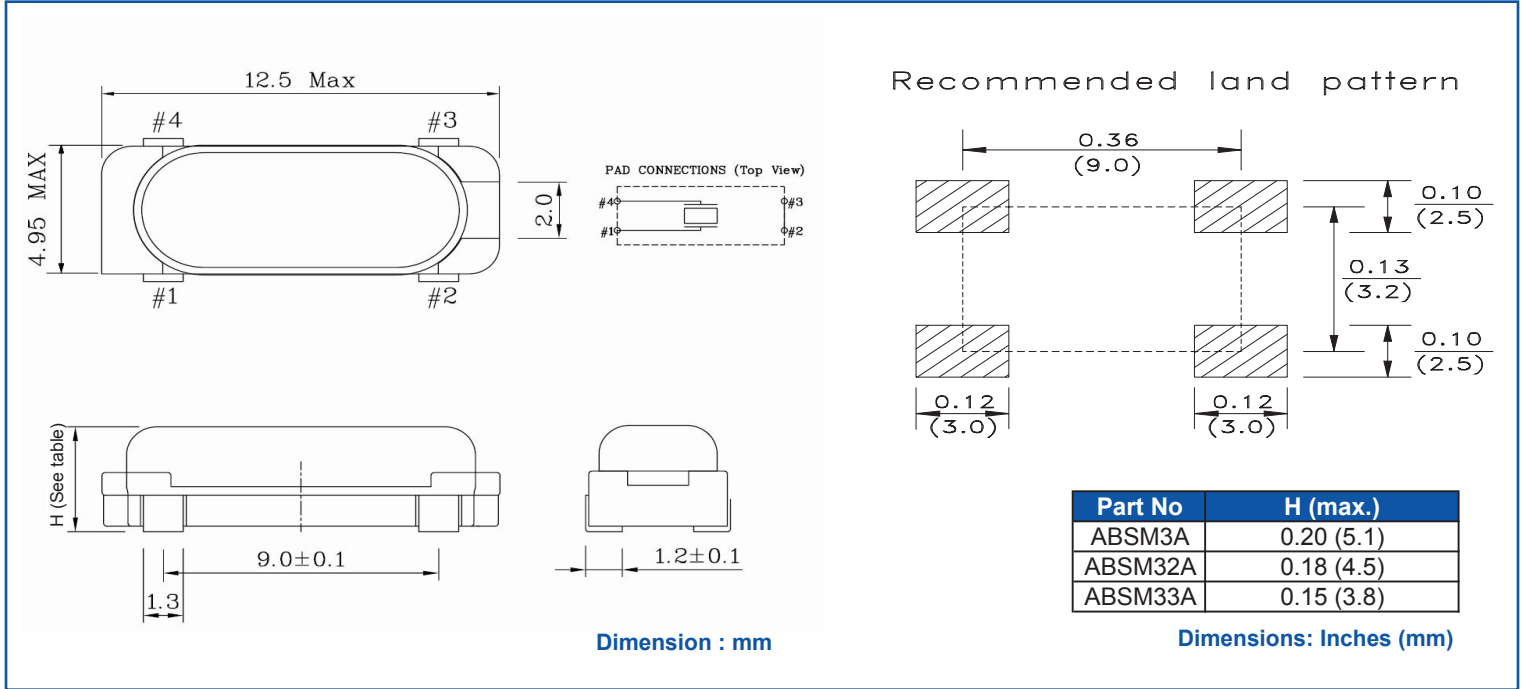


12.5 x 4.95 x H

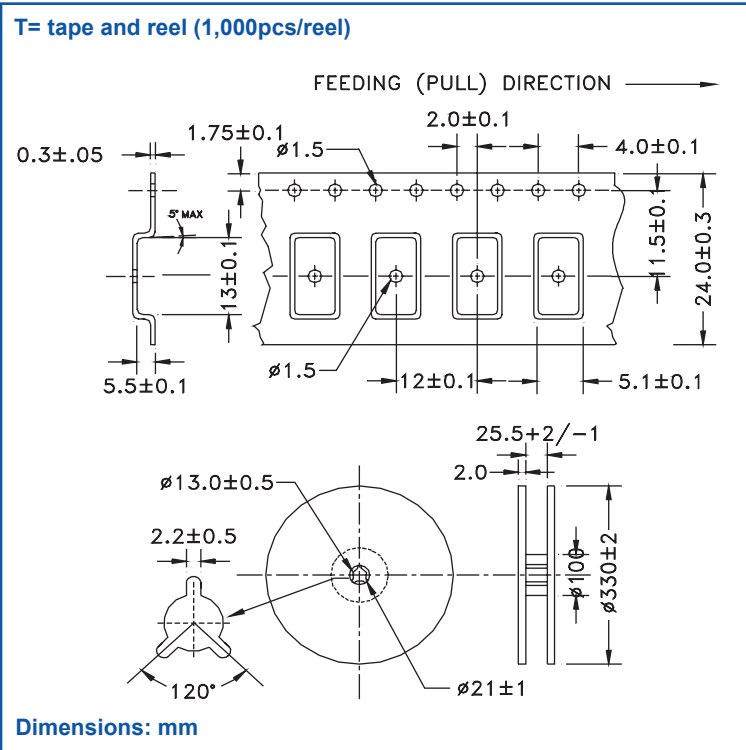


RoHS
Compliant

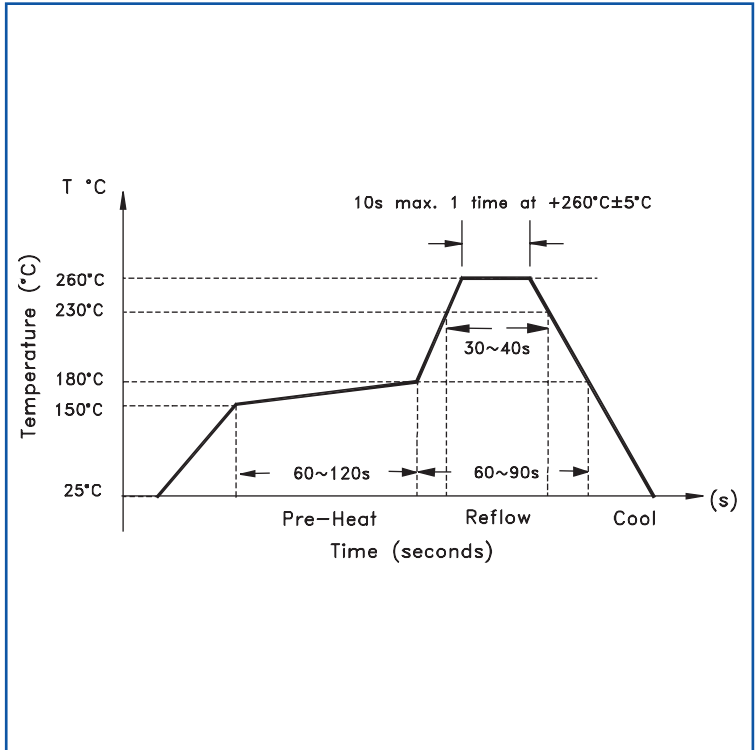
OUTLINE DRAWING:



TAPE & REEL:



REFLOW PROFILE



ATTENTION: Abracon Corporation's products are COTS – Commercial-Off-The-Shelf products; suitable for Commercial, Industrial and, where designated, Automotive Applications. Abracon's products are not specifically designed for Military, Aviation, Aerospace, Life-dependant Medical applications or any application requiring high reliability where component failure could result in loss of life and/or property. For applications requiring high reliability and/or presenting an extreme operating environment, written consent and authorization from Abracon Corporation is required. Please contact Abracon Corporation for more information.